



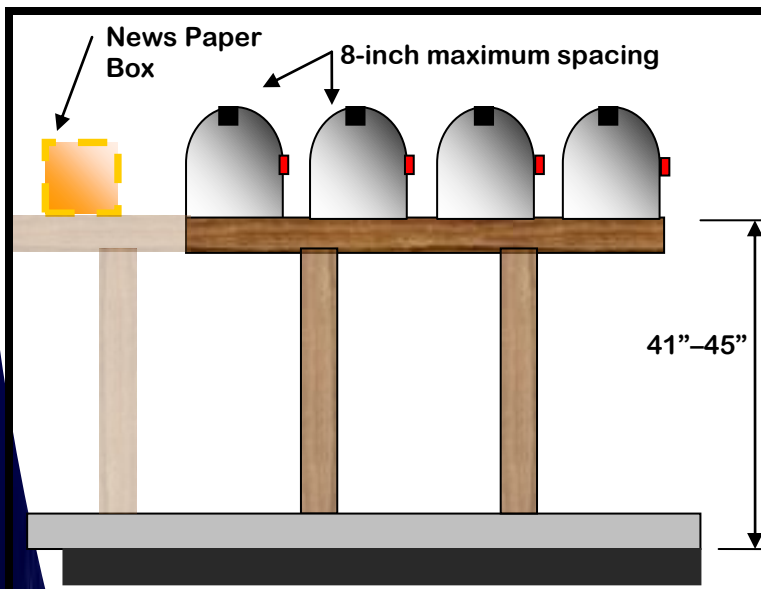
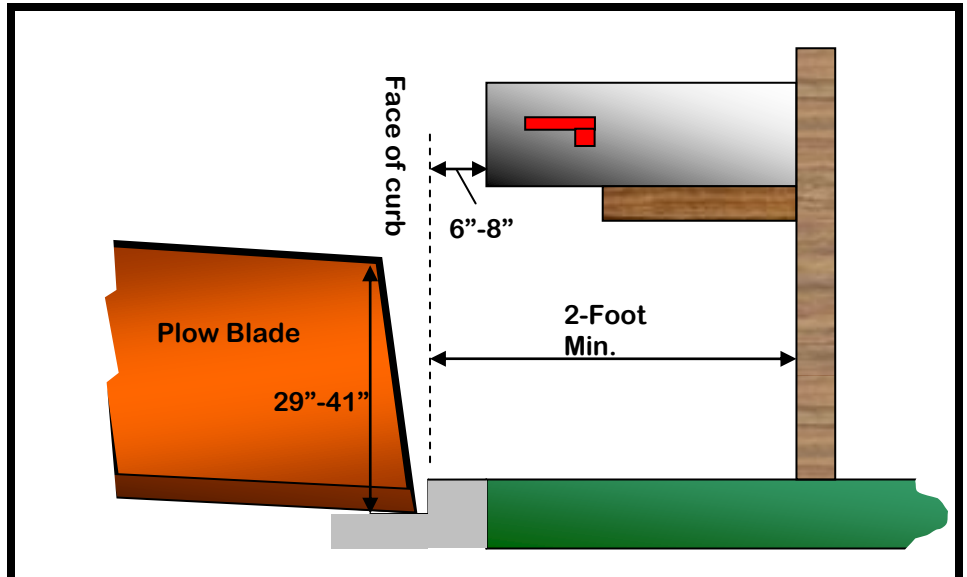
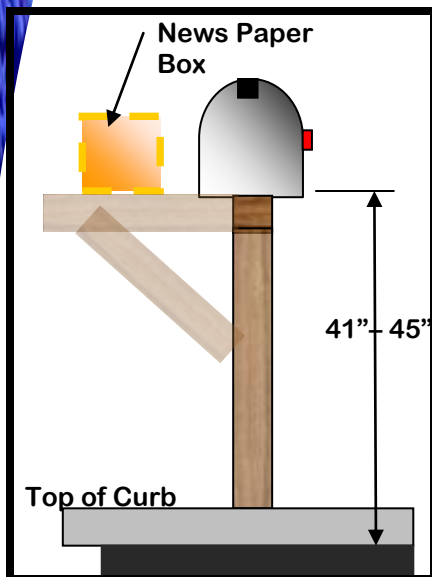
Village of Bellevue

DEPARTMENT OF PUBLIC WORKS
2828 Allouez Avenue
Green Bay, WI 54311
(920) 468-5225
www.villageofbellevue.org

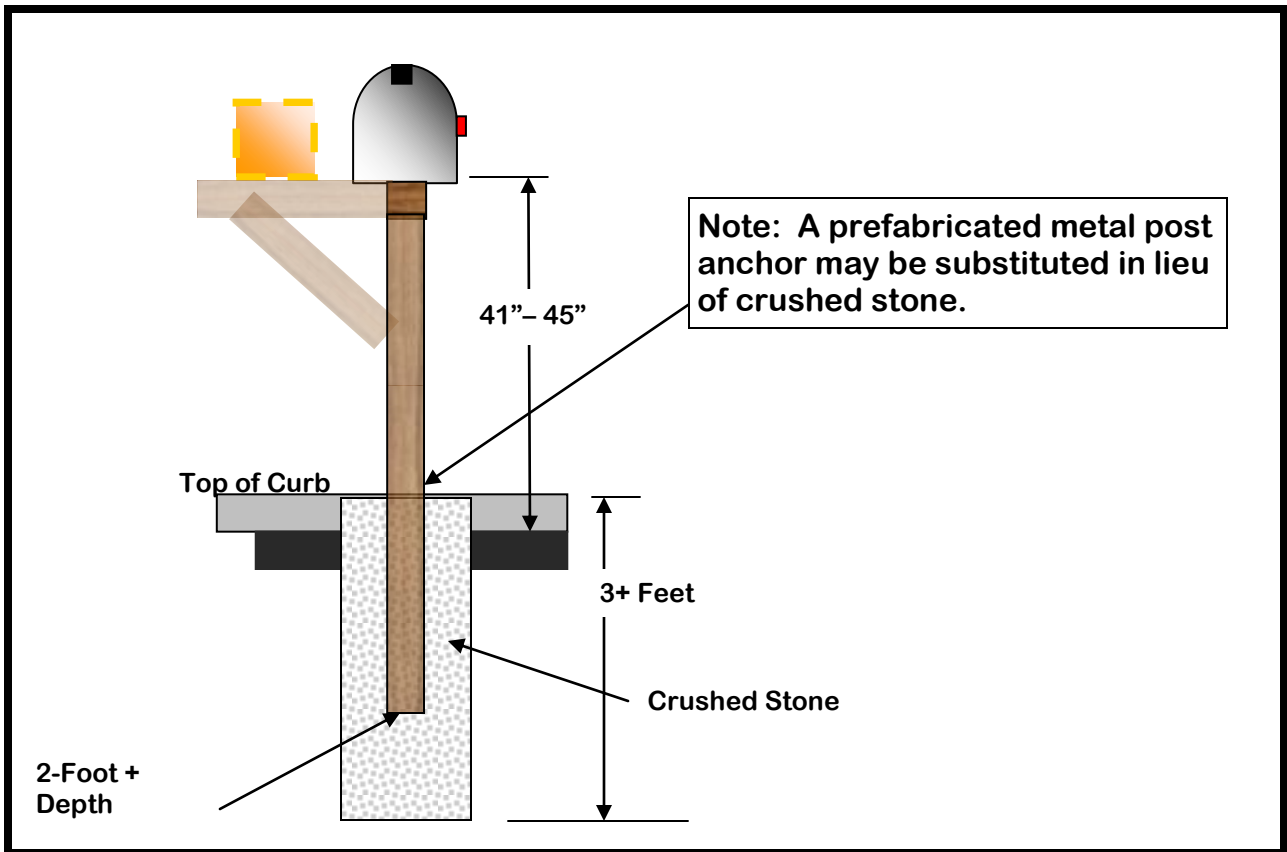
Mail Box Installation



The Village of Bellevue has established these guidelines for the proper placement of mail boxes within the Village. Proper placement aids in the delivery of mail as well as reduces the likelihood of damage during snow removal. The force of wet snow can damage improperly installed or decaying posts.



- Post shall be constructed of 1 1/2 inch steel pipe, 3x3 inch wood, or 3 inch round post.
- Post shall be located a minimum of 2-feet behind the face of curb.
- Bottom of any box (Mail or Newspaper) shall be 41-45 inches from the driving surface.
- The front of the mail box shall be 6-8 inches from the face of the curb.
- *It is important to follow these guidelines for the installation of the mail box. If a mail box is hit or damaged by a snow plow and you have not followed these regulations, the owner is responsible for the replacement of the damaged mail box and post.*



Reminders

- Ensure the post is of sound material and securely anchored to the ground.
- Ensure your mail box is not leaning.
- Ensure that the bottom of any box (mail or newspaper) is at least 41-inches above the driving surface.
- Ensure the mail box is securely fastened to the post
- Ensure your mail box does not extend beyond the face of the curb.