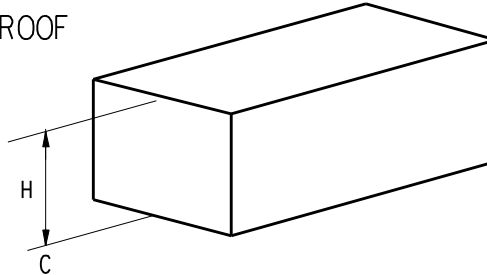


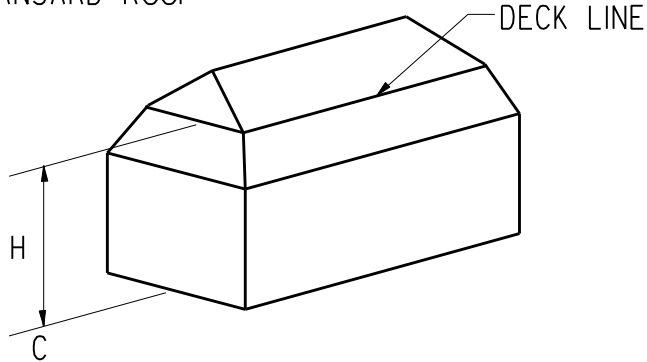
ARTICLE III, SUBSECTION B,
DEFINITION NO. 21

BUILDING HEIGHT

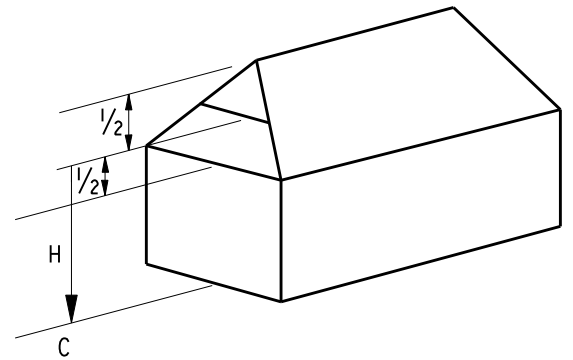
FLAT ROOF



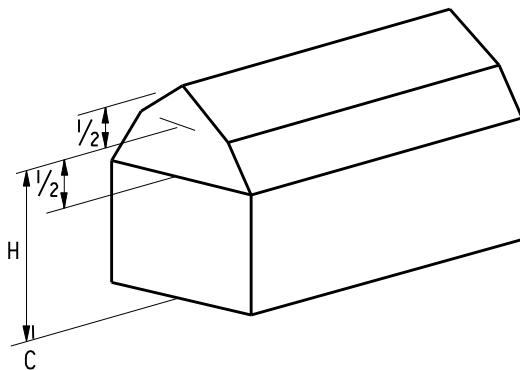
MANSARD ROOF



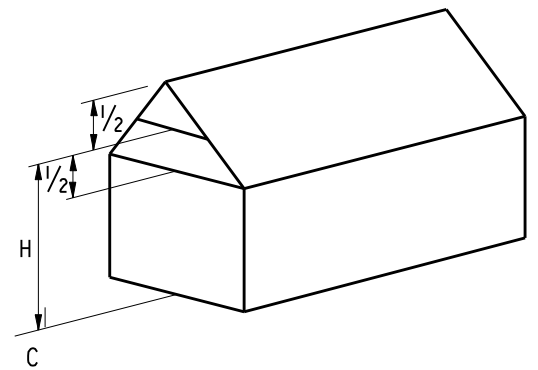
HIP ROOF



GAMBREL ROOF



GABLE ROOF



H=HEIGHT OF BUILDING
C=CURB LEVEL OR TENTATIVE CURB LEVEL GRADE